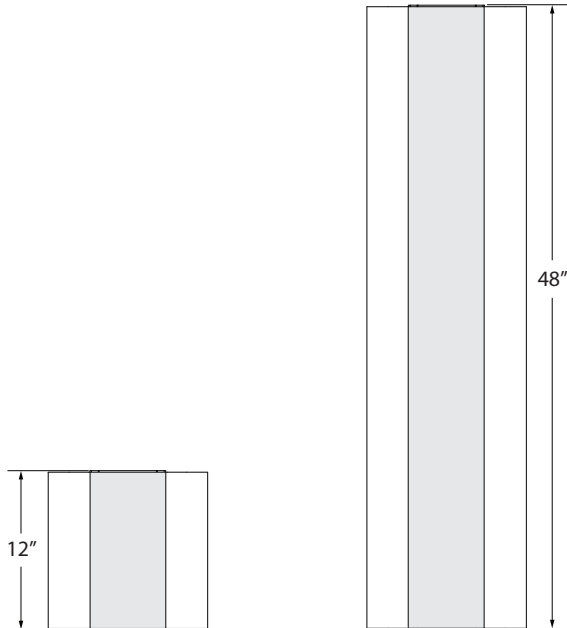


Profile Dimensions



Please verify the contents of the packages!

Please read instructions entirely before starting installation

Be sure power is turned off before installing or modifying the system

Call Tivoli, LLC tech support with questions

Caution: Aurora Wall Sconce is designed to work with clean 120V AC power. Use of any other power source will cause damage, shorten the life of the fixture and will void the warranty. It is recommended that power is conditioned or regulated with surge protection.

Do not conceal or extend exposed conductors through a building wall as per local electrical code.

Warning: With any luminaire for any application, basic safety precautions should always be followed to reduce the risk of fire, electric shock and personal injuries. **THIS LIGHTING SYSTEM MUST BE INSTALLED IN ACCORDANCE WITH APPLICABLE INSTALLATION CODE BY A PERSON FAMILIAR WITH THE CONSTRUCTION AND OPERATION OF THE PRODUCT AND THE HAZARDS INVOLVED. CE PRODUIT DOIT ÊTRE INSTALLÉ SELON LE CODE D'INSTALLATION PERTINENT, PAR UNE PERSONNE QUI CONNAÎT BIEN LE PRODUIT ET SON FONCTIONNEMENT AINSI QUE LES RISQUES INHÉRENTS.**

Installation Instructions



WARNING: Risk of electric shock. Be sure power is turned off at the main breaker box prior to installation.

Note: Junction Box Screws and Wire Nuts are included in kit.

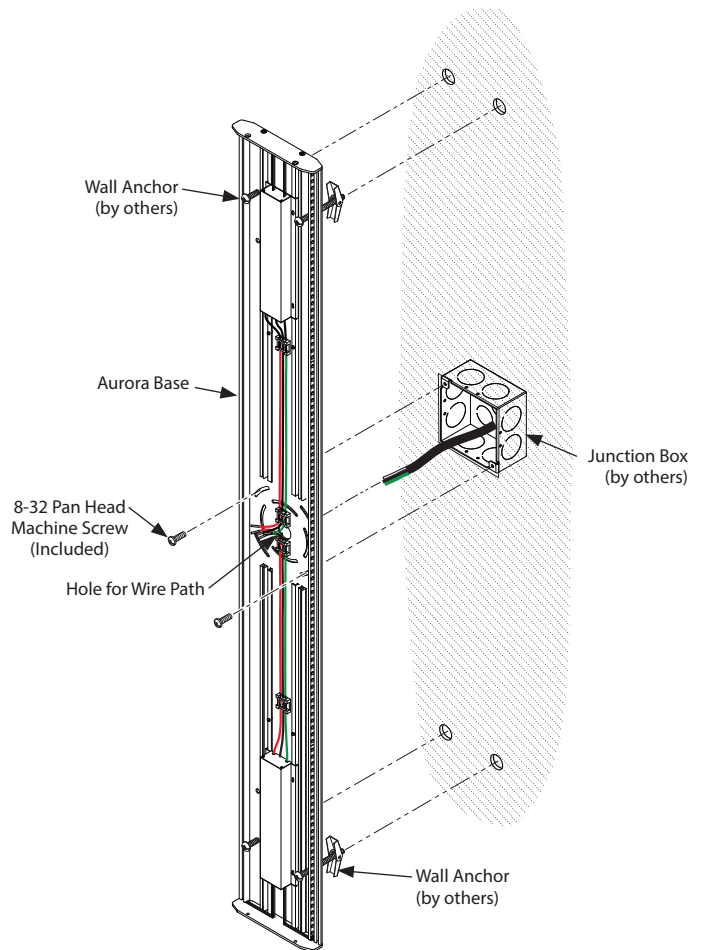
Step 1: Position the Aurora Base against the wall in position over the Junction Box. Mark the wall through the holes at the ends of the Aurora Base to locate the hole positions for Wall Anchors. Remove fixture and drill out the holes for the Wall Anchors.

Step 2: Attach Wall Anchors (by others) to the base through the two holes at each end of the base, as shown.

Step 3: Hold the Fixture Base close to the wall and pass the wires from the junction box through the hole in the center of the base fixture.

Step 4: Pass two 8-32 Pan Head Machine Screws (included) through the long circular slots around the center of the Base Panel and loosely attach to the junction box (already located in wall). Push the Wall Anchors through the holes in the wall and tighten all screws.

Note: Make sure the Aurora fixture is aligned vertically before tightening all screws.



Installation Instructions (Continued)

Step 5: Combine the Positive Wires (Red) from both Drivers with the Positive Wire (Red) from the Junction Box and secure with a Wire Nut for 18 ga. wire.

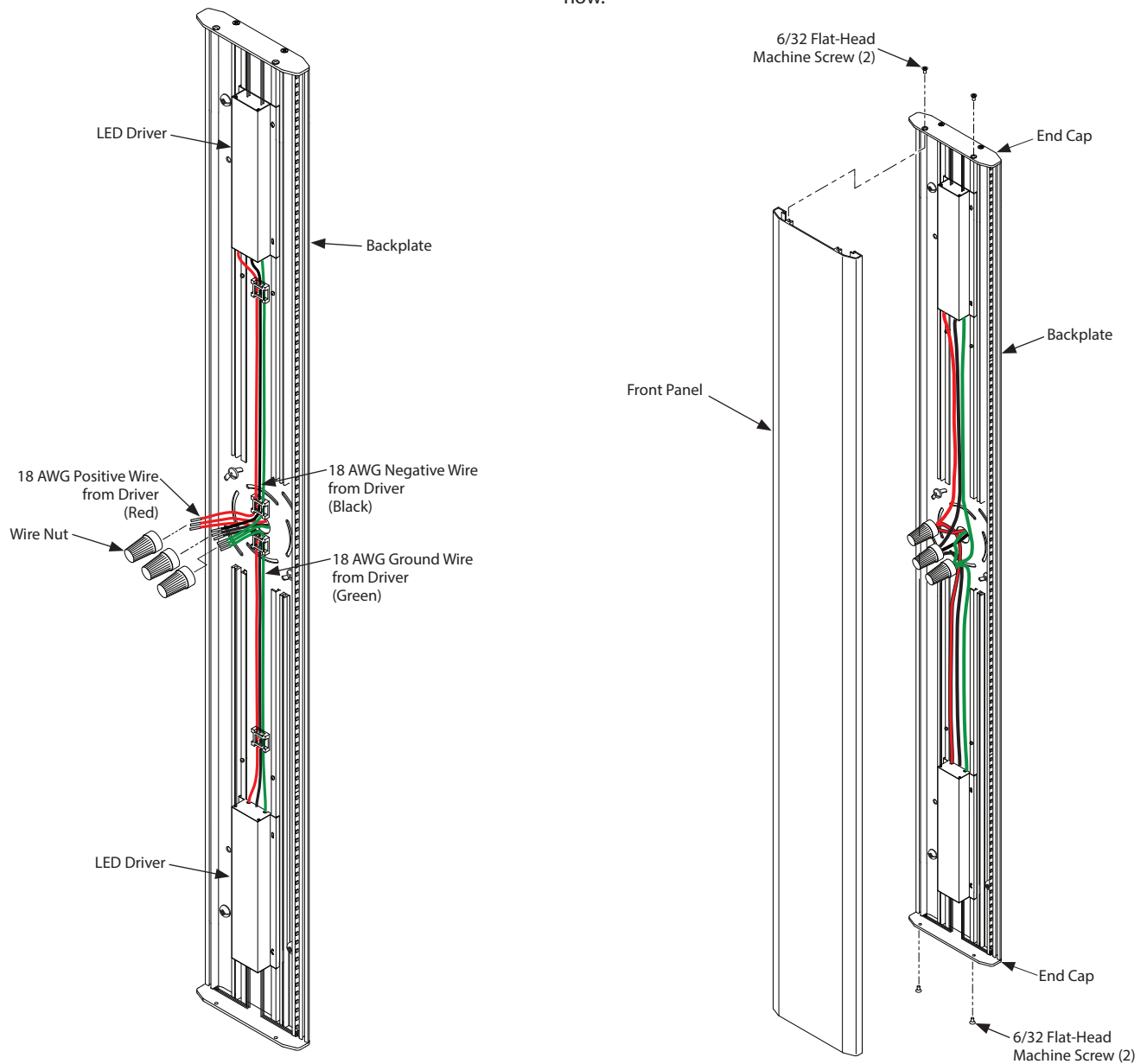
Step 6: Combine the Negative Wires (Black) from both Drivers with the Negative Wire (Black) from the Junction box and secure with a Wire Nut for 18 ga. wire.

Step 7: Combine the Ground Wires (Green) from both Drivers with the Ground Wire (Green) from the Junction box and secure with a Wire Nut for 18 ga. wire.

Step 8: Loosen the Screws that secure the top and bottom End Caps to make it easier to install the Front Panel.

Step 9: Position Front Panel over fixture base and be sure to align the top and bottom of the Front Panel with the ends of the Backplate and then snap it into position.

Step 10: Use four Countersunk Machine Screws to fasten it to the fixture, as shown. Leave all the End Cap screws **only finger tight** for now.



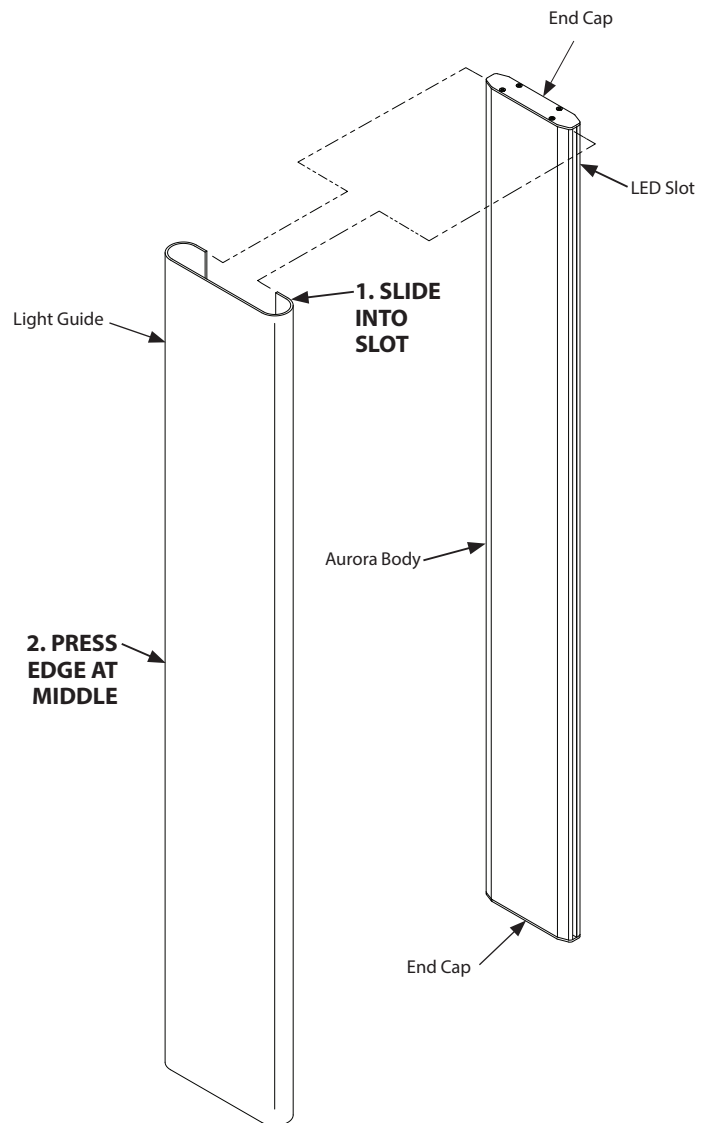
Installation Instructions (Continued)

Step 11: Position one edge of the Light Guide inside the LED slot on one side of the fixture body.

Step 12: Press on the other side of the Light Guide starting at the middle until it slides into the slot in the side of the fixture.

Note: Tap the sides of the Light Guide to center it on the fixture body.

Step 13: Tighten four End Cap screws at the top of the fixture and 4 End Cap screws at the bottom of the fixture.



WARNING: Risk of Fire Or Electric Shock.

Do not cover any luminaire, as the covering may cause it to overheat.

Do not install any luminaire closer than 6 inches (15.25 cm) from any curtain, or similar combustible material.

Do not use any luminaire if damaged; such as, loose connections, or frayed wire insulation. Inspect periodically.

Do not submerge any luminaire in liquid.

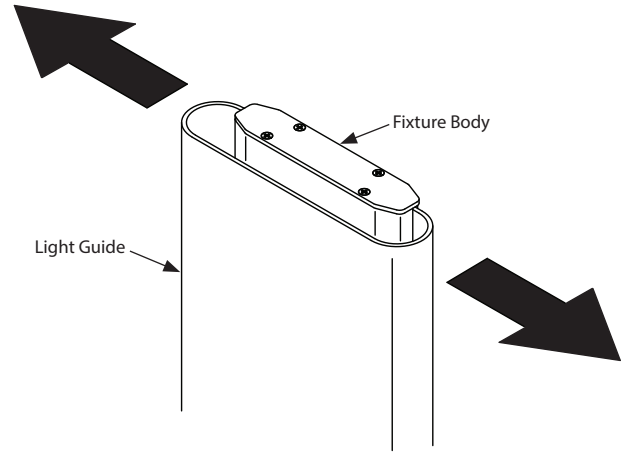
Do not secure any luminaire with staples, nails or like means that might damage the wire insulation. Secure it by using screws through mounting holes.

Do not run any luminaire at an operating temperature exceeding 65° C or 149° F.

Replacement Parts, Light Guide

Replace Light Guide

Step 1: Remove Light Guide. Pull out the sides of the Acrylic Lens and remove.



Step 2: Position one edge of the Light Guide inside the LED slot on one side of the fixture body.

Step 3: Press on the other side of the Light Guide starting at the middle until it slides into the slot in the side of the fixture.

Note: Tap the sides of the Light Guide to center it on the fixture body.

Step 4: Tighten four End Cap screws at the top of the fixture and 4 End Cap screws at the bottom of the fixture.

